



# KSTAR

# Memopower



True Sinewave



Long Runtime  
Option



Australian  
Outlets



Optional SNMP Card



Optional Battery Pack

**Best for Protecting:** Critical Computer Systems, Servers, Networking Gear, Telecommunications, VoIP, Security Systems, Manufacturing Systems, PLCs

## HIGHLIGHTS

**True Online Double-Conversion**

**Extended Runtime Option**

**Generator Compatibility**

**Utility Frequency Independence**

**Network Management Option**

**50Hz/60Hz Frequency Converter  
Mode**

**USB and RS-232 Connectivity Ports**

**Built-in Self-Diagnostic Function**

Memopower Plus II is a true Online/Double Conversion UPS offering highest level of protection from most types of utility power problems, including: power failures, power sags, power surges, under-voltage, over-voltage, line noise, frequency variation, switching transients and harmonic distortion.

The UPS is constantly monitoring power conditions regulating both Voltage and Frequency. During a power outage, internal batteries in

the UPS keep loads running long enough to gracefully shut down systems. Battery runtime can be increased by adding External Battery Modules to run electrical systems for hours if necessary.

**Monitor and manage the UPS from anywhere.** The standard unit comes with USB and RS-232 serial communication. Optional SNMP card supports real-time monitoring and control of UPSs across the network.

## KSTAR Memopower Plus II Online UPS (Tower)

Power outages might occur unexpectedly and power quality can be erratic. These power problems have the potential to corrupt critical data, destroy unsaved work sessions, and damage hardware - causing hours of lost productivity and expensive repairs. A system operating in double-conversion mode completely isolates IT equipment from the irregularities of input power, without undue stress on internal batteries. And it provides seamless operation from battery mode to generator operation and back again, so as not to even slightly interrupt power to the connected IT equipment.

### SNMP – Simple Network Management Protocol card

When UPS communications beyond the included RS232/USB are required, network or relay communications are available as optional SNMP add-on cards. The SNMP – Simple Network Management Protocol card allows the UPS to be directly connected to the network without the need of a local computer or server. With the included software, UPS information and alarms can be received by any computer that can be reached via an IP connection. This will provide a complete dialogue of UPS status and health. When a power event occurs, informational alarms can be broadcast to nominated computers.

Monitoring / Software	
Local / Software	Remote /Software
Magatec / UPSilion 2000	Magatec / SNMPView

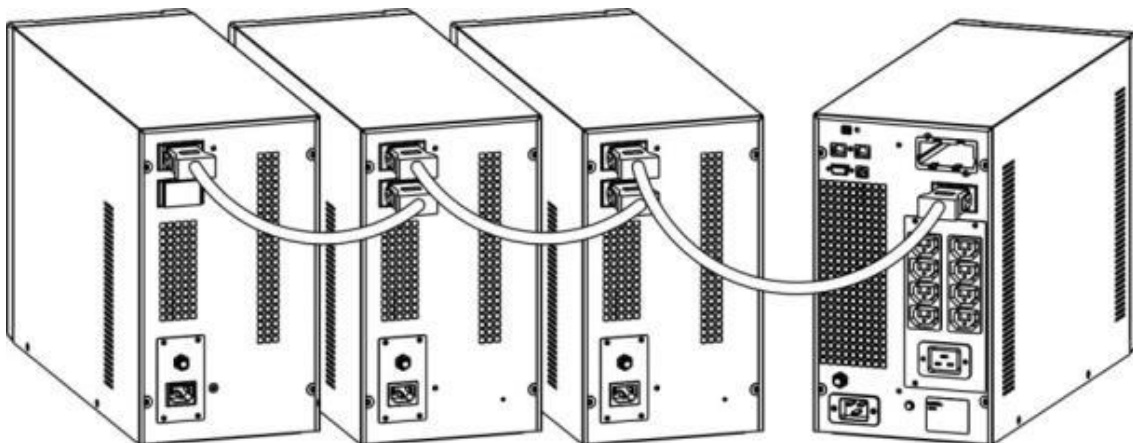
### Battery Backup Time

Full Load Backup Times with External Battery Packs (EBP)					
Model	Internal Batteries (min)	1 EBP (min)	2 EBP (min)	3 EBP (min)	4 EBP (min)
MP II 1kva (24VDC)	3'	15'	30'	45'	65'
MP II 2kva (72VDC)	5'	25'	45'	65'	85'
MP II 3kva (72VDC)	3'	15'	30'	46'	65'

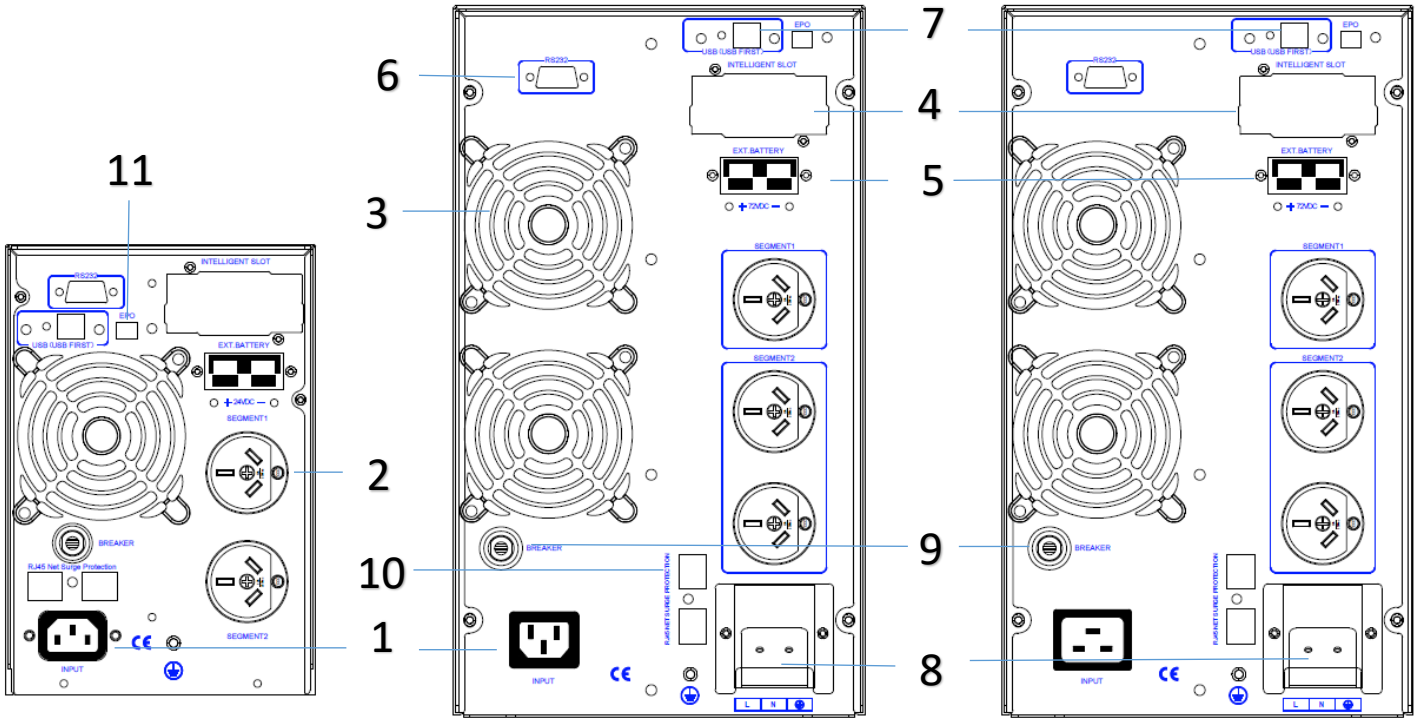
NOTE: Battery times indicated above are for reference only, which might vary according to load configuration, ambient temperature, battery charge, etc.

### Matching Battery Packs

External Battery Modules (EBMs) can be used to increase battery runtime and provide the desired period of power backup.



## Rear Panel



1000 VA

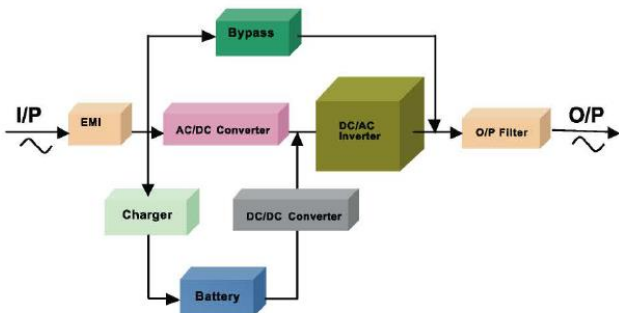
2000 VA

3000 VA

- |                            |                                  |  |
|----------------------------|----------------------------------|--|
| 1. Input Socket (10Amp)    | 6. RS232 Port                    | 10. Data Line (RJ45) Outlets with Surge Protection |
| 2. Australian Outlets      | 7. USB Port                      | 11. Emergency Power Off (EPO)                      |
| 3. Cooling Fans            | 8. Terminal Block for hardwiring |  |
| 4. SNMP Card Slot          | 9. Input Circuit Breaker         |  |
| 5. External Battery Socket |                                  |  |

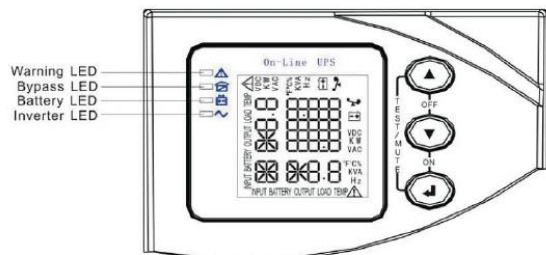
### True Online Double Conversion with DSP Control

With the advanced DSP Control technology, the Memopower Plus true online double conversion UPS not only corrects power disturbances in Mains but also achieves higher reliability and greater immunity from Utility power problems to the load connected.



### Patented Mimic LCD Display with Multi-function Parameter Settings

With mimic LCD display, it is easy to get all precious read-out data about the status of the UPS; besides, you may easily set various parameters from the screen.



## Technical Specifications

MODEL	MPII 1K	MPII 1.5K	MPII 2K	MPII 3K
Power	1000VA / 900W	1500VA / 1350W	2000VA / 1800W	3000VA / 2700W
UPS TOPOLOGY	True Online, Double-Conversion			
Output Waveform	True Sinewave			
Warranty	2 Years			
<b>INPUT</b>				
Voltage	200/208/220/230/240 VAC			
Voltage Range	110-300 VAC			
Frequency Range	45-65 Hz (auto-sensing)			
Power Factor	≥ 0.98			
Current THDi	< 7% at 100% non-linear load			
Phase	Single Phase & Ground			
<b>OUTPUT</b>				
Rated Voltage	200/208/220/230/240 VAC			
Power Factor	0.9			
Voltage Regulation	± 2%			
Frequency	50Hz or 60Hz (selectable)			
Crest Factor	3:1			
THD	≤ 3% with liner load or ≤ 5% with non-linear load			
<b>BATTERY</b>				
Battery Type and Number	2 x 12V/9Ah	3 x 12V/7Ah	6 x 12V/9Ah	6 x 12V/9Ah
Battery Bus Voltage	24VDC	36VDC	72VDC	72VDC
Typical Recharge Time	5 hours recovery to 90% capacity			
Charging Current	1.0A			
Battery Socket	Anderson like PowerPole Modular Connectors			
<b>Alarms</b>				
Audible & Visual	Line Failure, Low Battery, Overload, System Fault			
<b>Communication</b>				
RS232/USB Port	Supports Windows Family, Linux, FreeDSB, etc.			
Communication Slot	SNMP Card (optional DL-801)			
<b>PHYSICAL</b>				
Dimensions (W x H x D mm)	144 x 368 x 215	144 x 368 x 215	191 x 468 x 340	191 x 468 x 340
Net Weight (kg)	9.8	12.5	24	25.6
<b>ENVIRONMENT</b>				
Operating Temperature	0°C - 40°C			
Storage Temperature	-25°C - +55°C			
Humidity	0 – 90% non condensing			
Altitude	< 1500m (derating while > 1500m)			
Noise	<50db (at 1 meter)			

Battery Pack	MP-BT04009	MPII-BT06009	MPII-BT12009	MPII-BT12009
Battery Type	12V 9AH	12V 9AH	12V 9AH	12V 9AH
DC Bus Voltage	24VDC	36VDC	72VDC	72VDC
Max Quantity	4	6	12	12
Max Charge Current	2A	2A	2A	2A
Dimensions	144 x 368 x 215	144 x 368 x 215	191 x 468 x 340	191 x 468 x 340
Weight (kg)	10	20	40	40

Specifications subject to change without prior notice



Distributed in Australia by:

Power Backup Solutions Pty Ltd | ABN: 98 164 568 343

Unit 2, 7-9 Percy St, Auburn NSW 2144 | [sales@powerbackups.com.au](mailto:sales@powerbackups.com.au)

